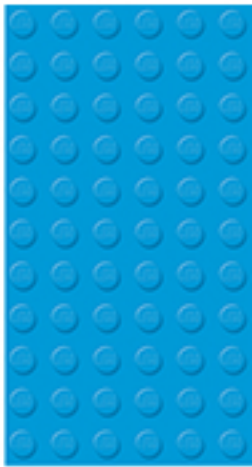
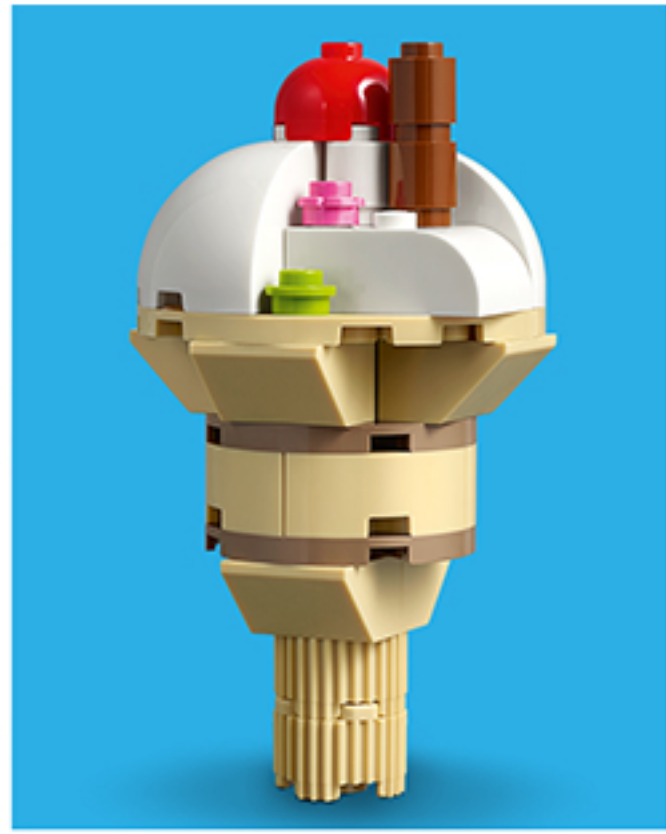
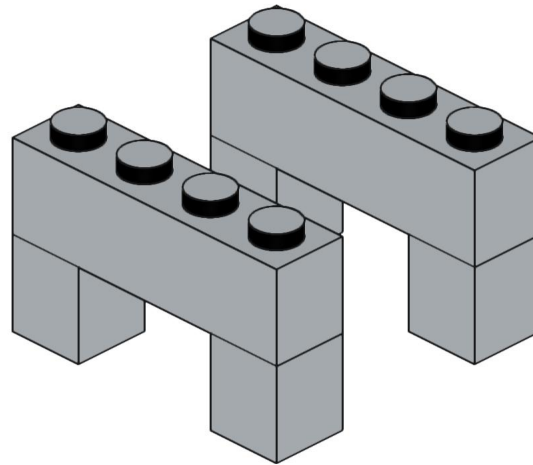
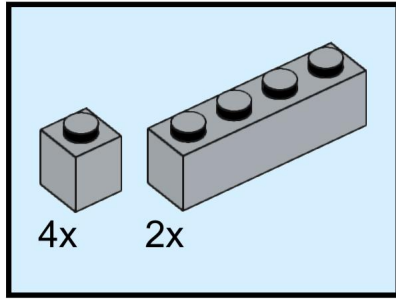


#BAUMITUNS
Deine LEGO® Zeit

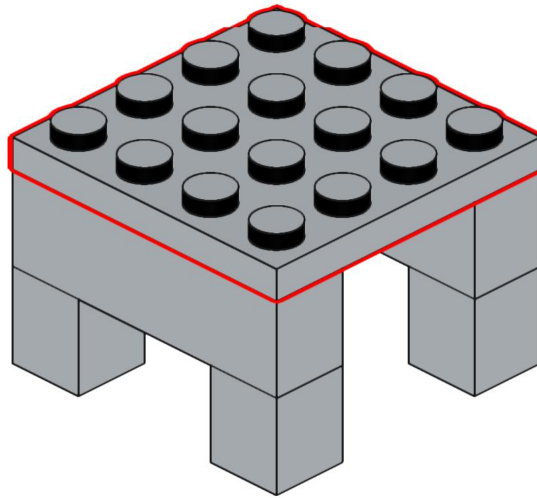
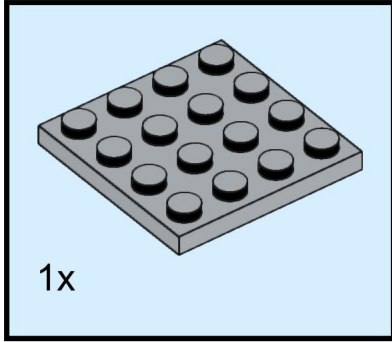
LEGO, the LEGO logo and the Minifigure are trademarks of the LEGO Group. ©2020 The LEGO Group.



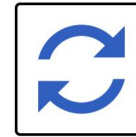
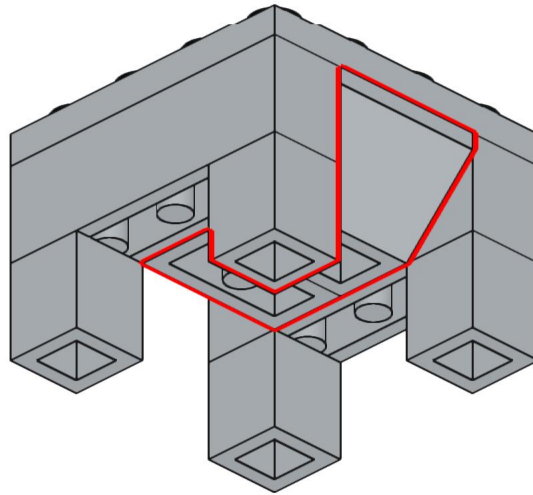
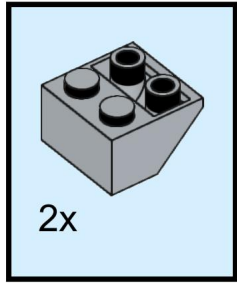
1



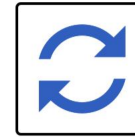
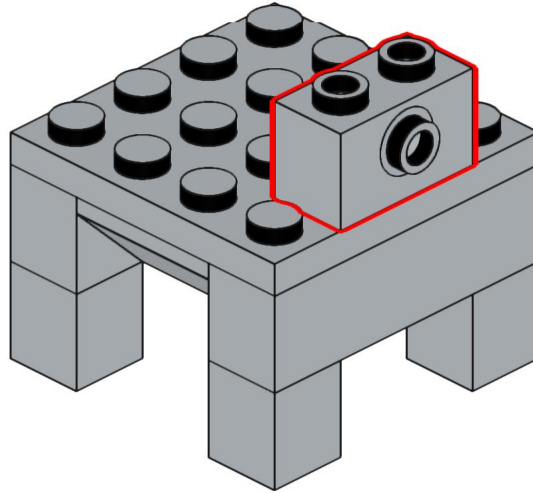
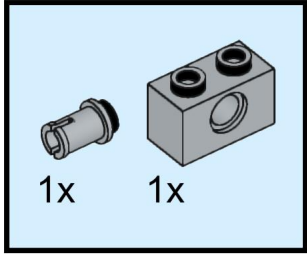
2



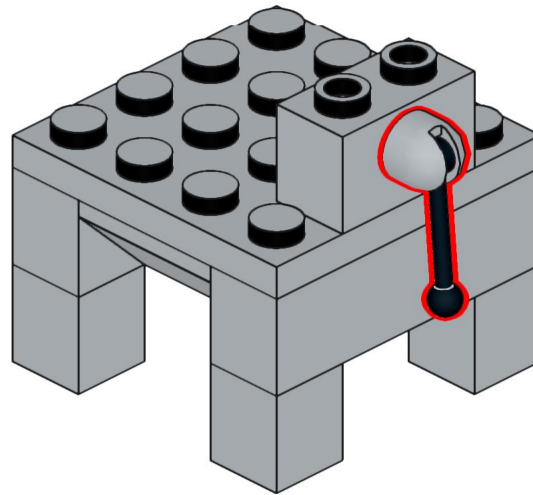
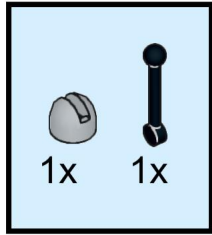
3



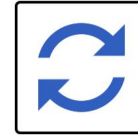
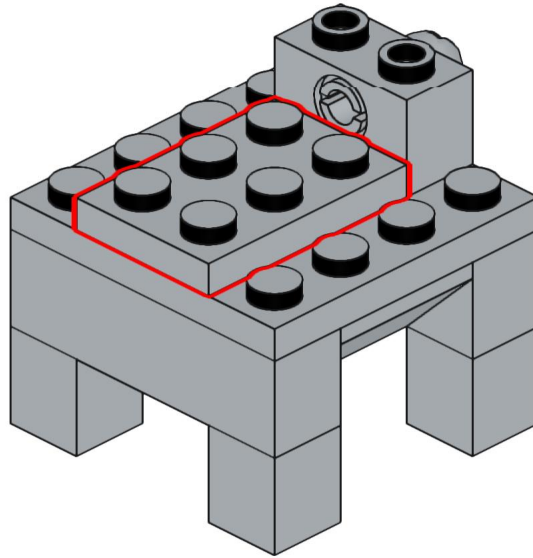
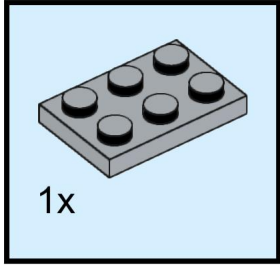
4



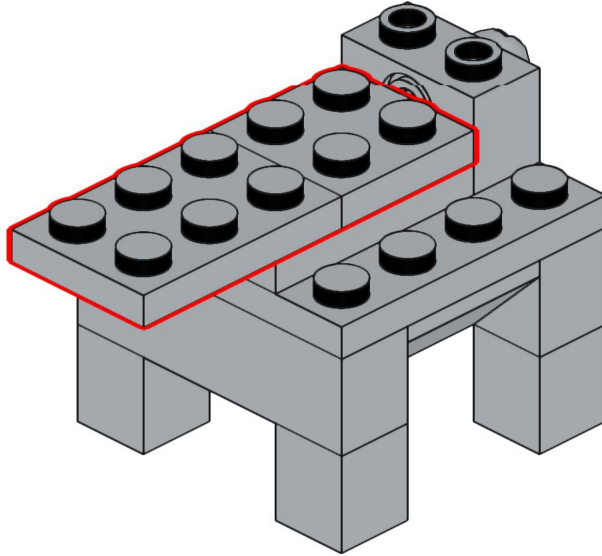
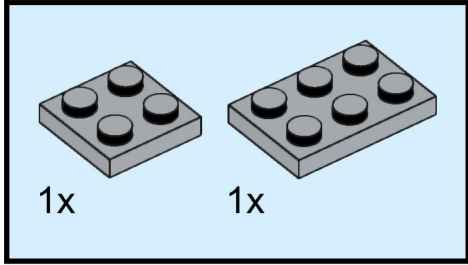
5



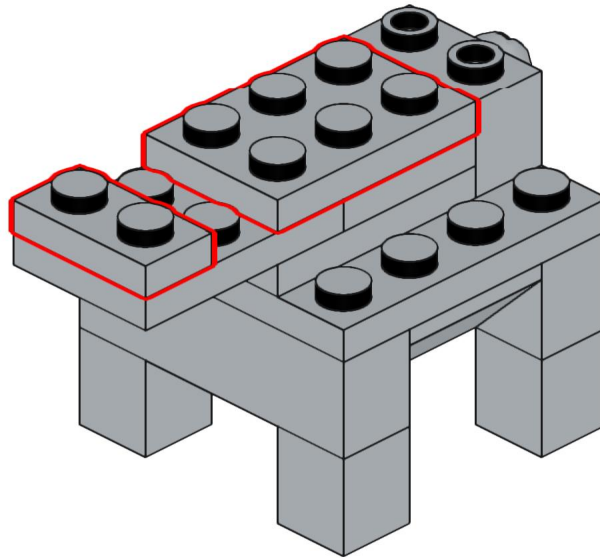
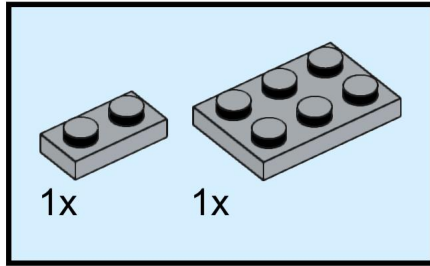
6



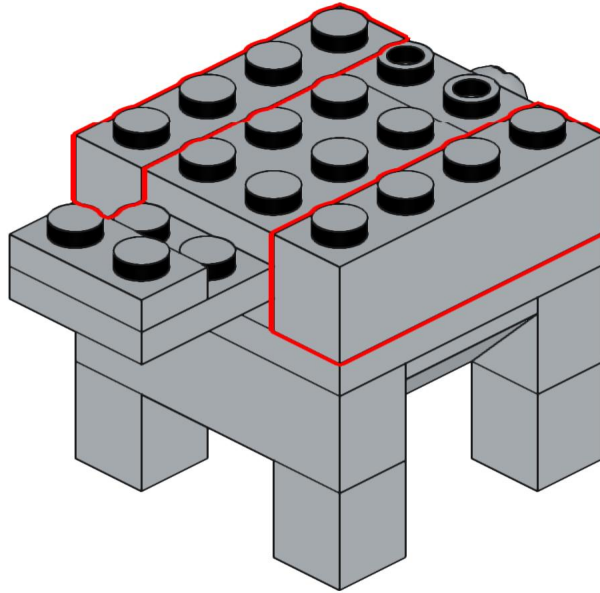
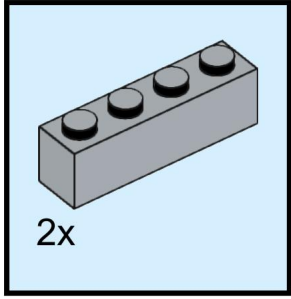
7



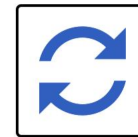
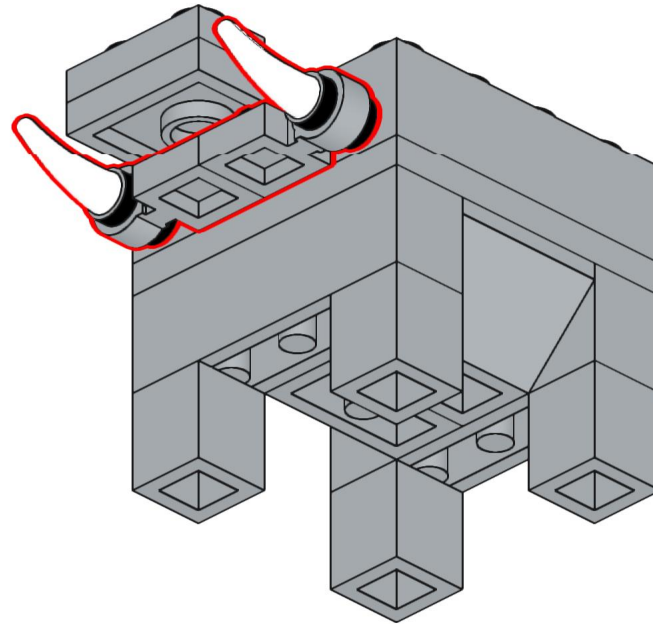
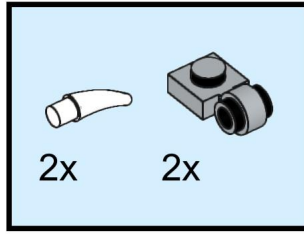
8



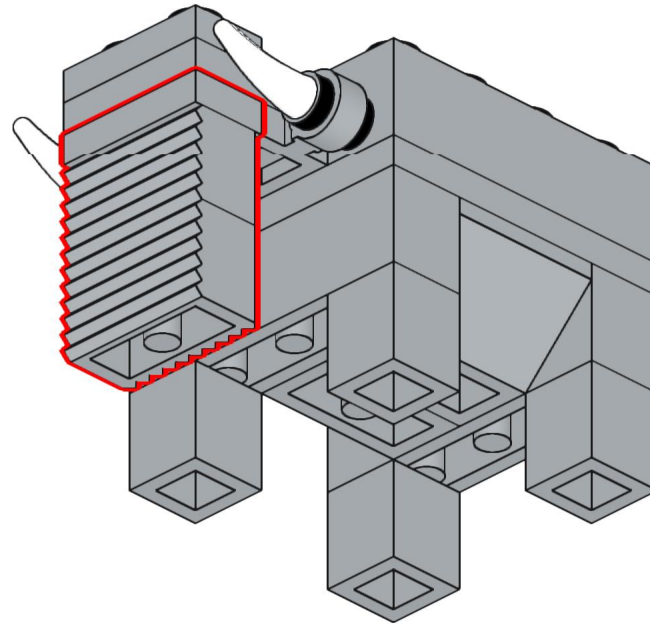
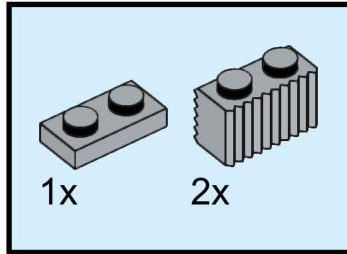
9



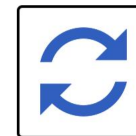
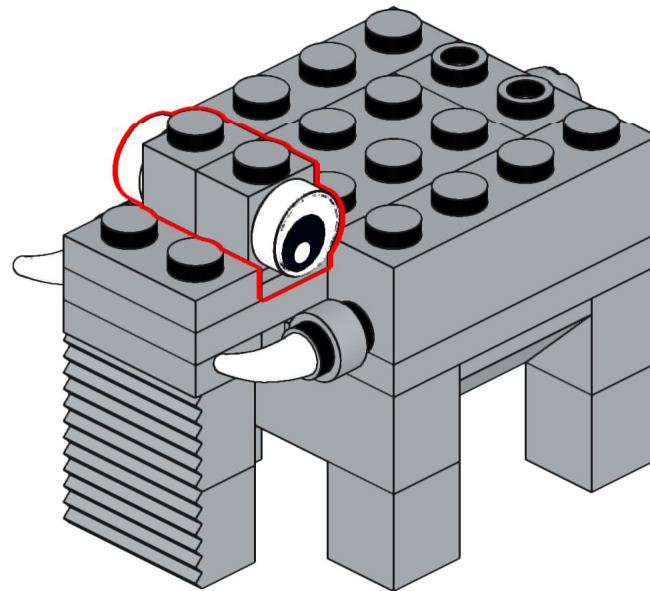
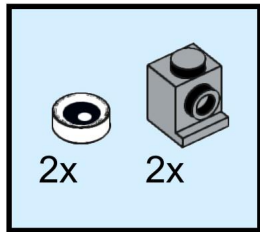
10



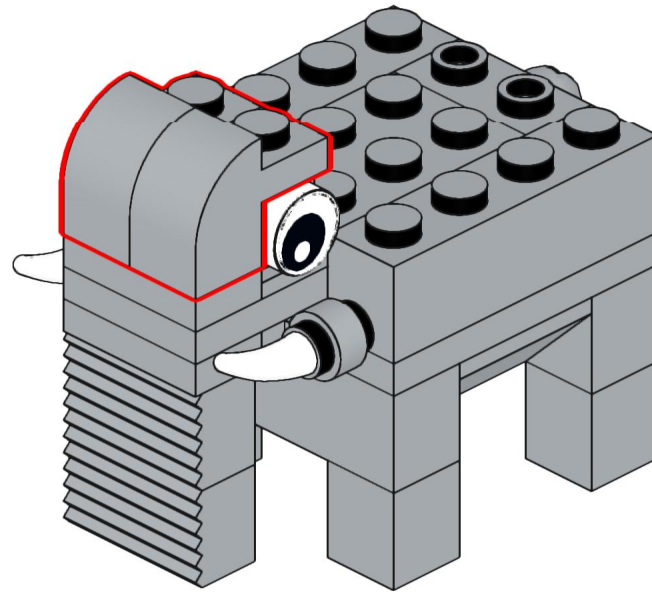
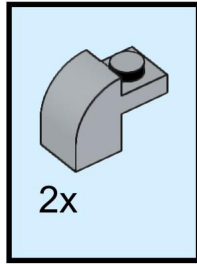
11



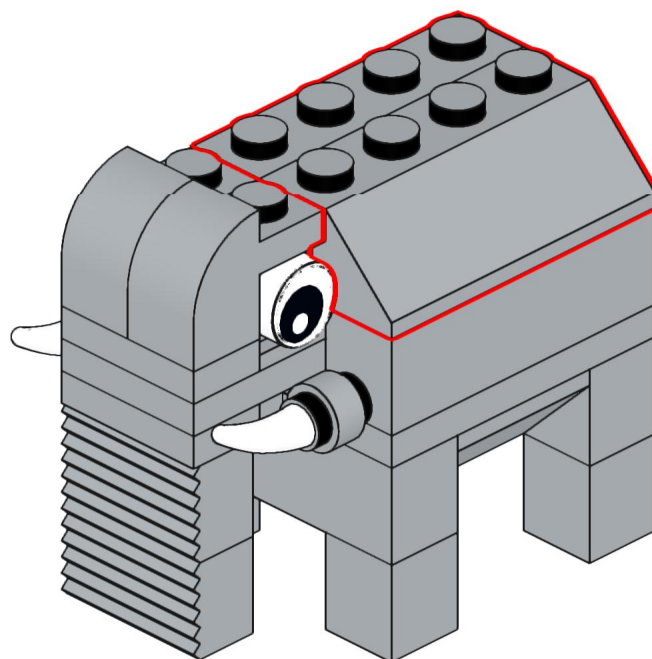
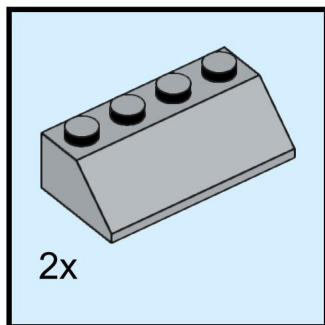
12



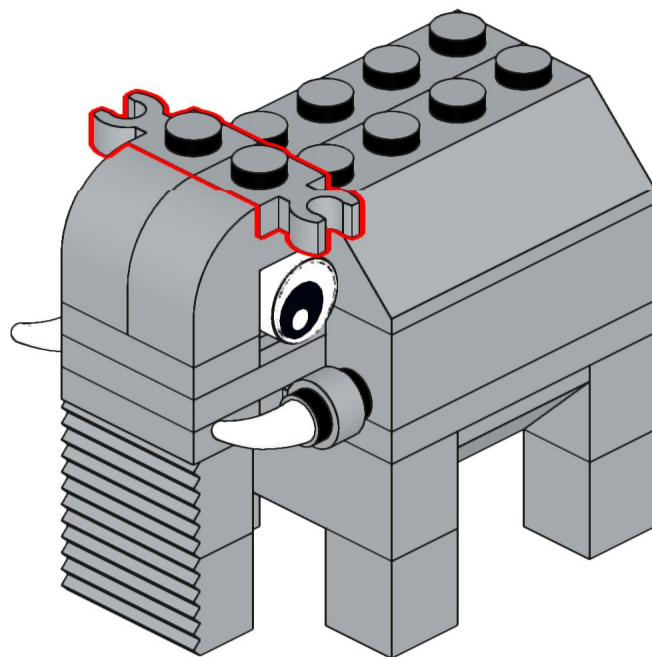
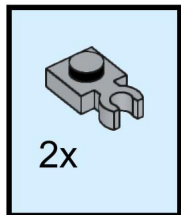
13



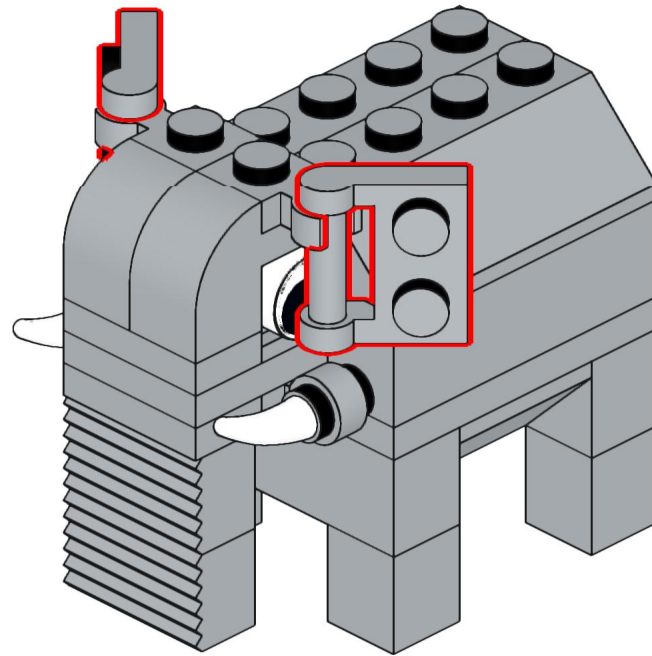
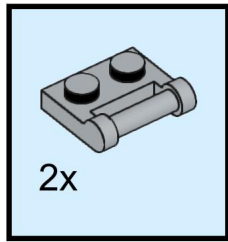
14



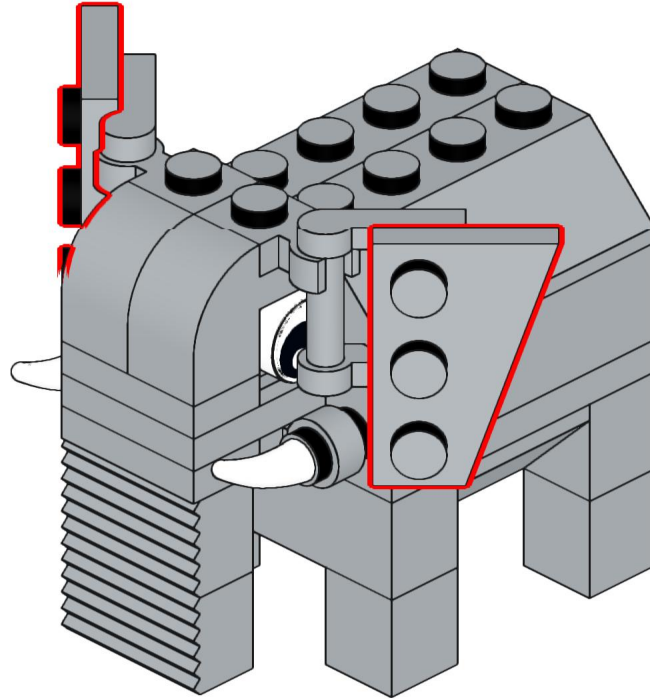
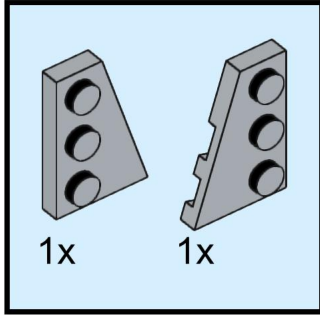
15



16



17



18

