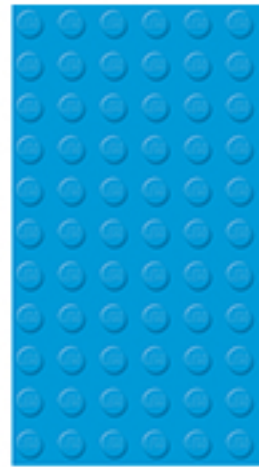
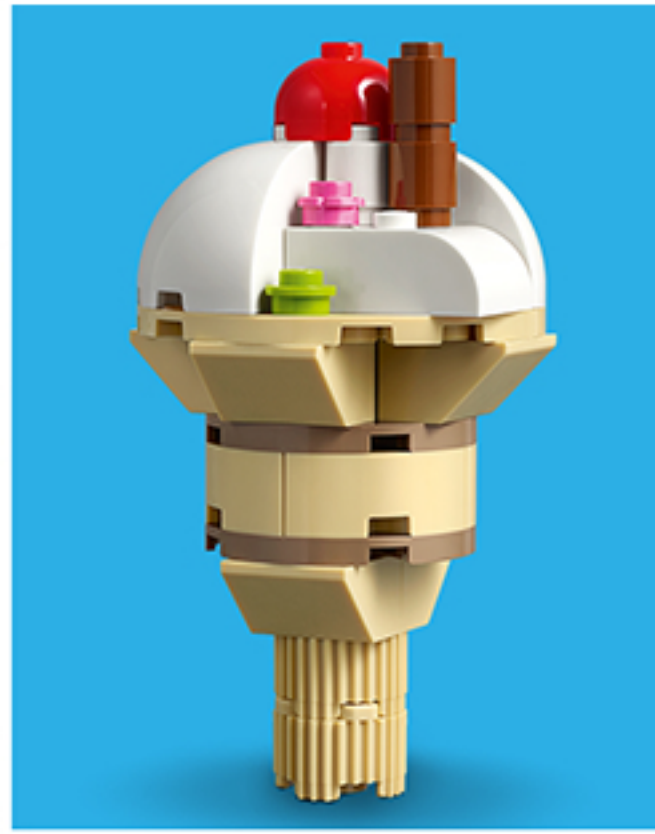
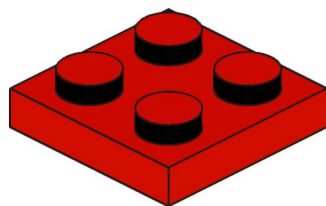
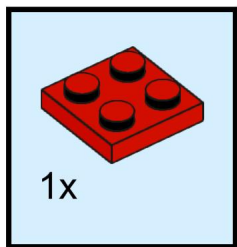


#BAUMITUNS
Deine LEGO® Zeit

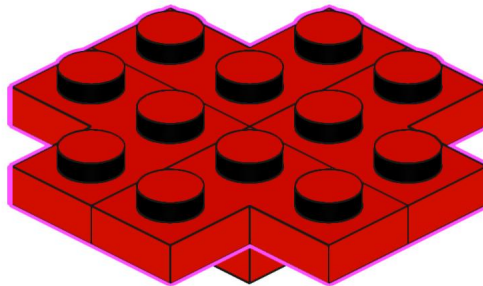
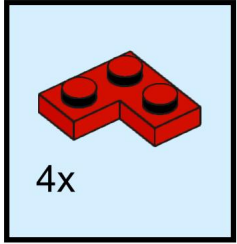
LEGO, the LEGO logo and the Minifigure are trademarks of the LEGO Group. ©2020 The LEGO Group.



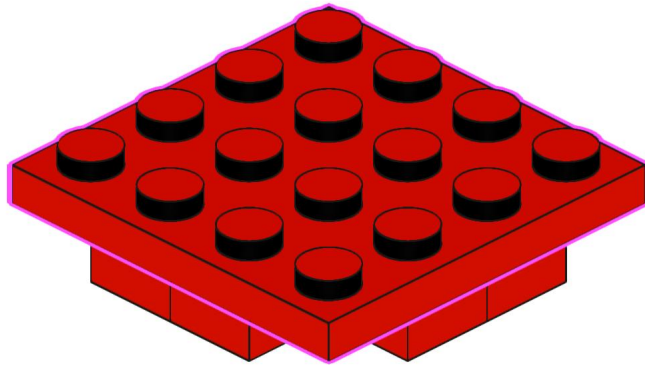
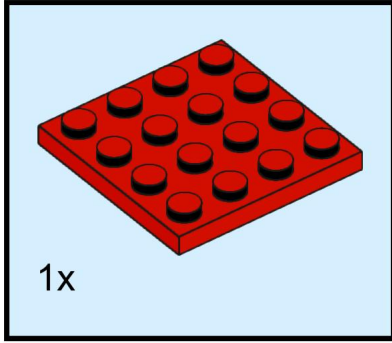
1



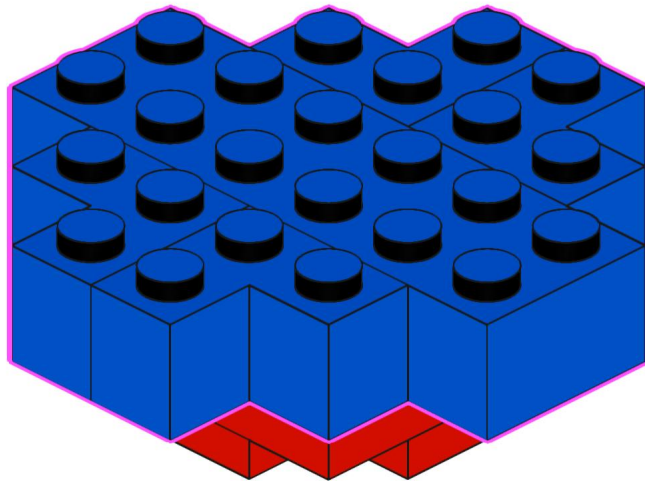
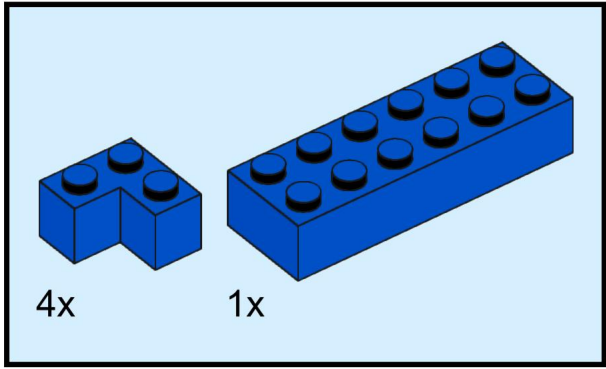
2



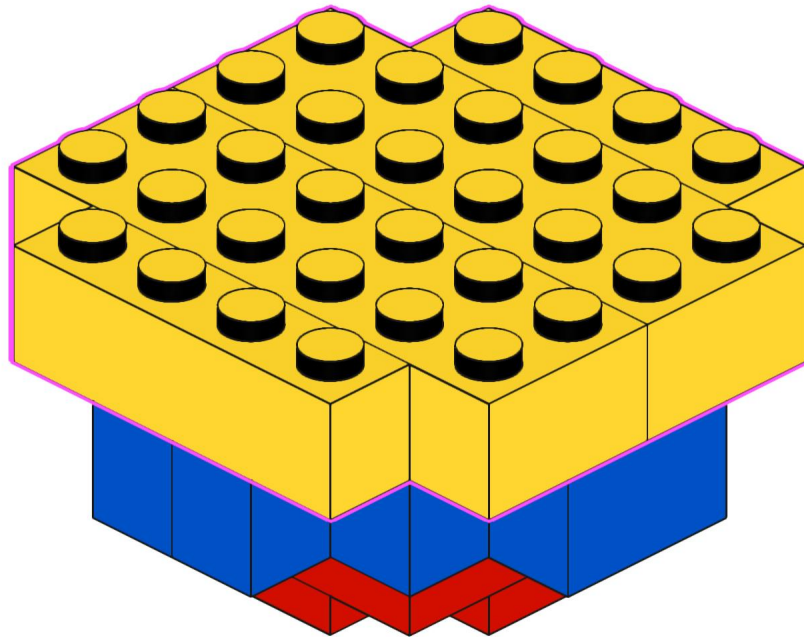
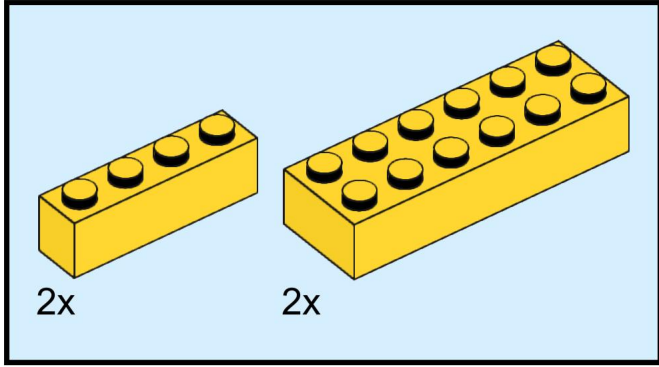
3



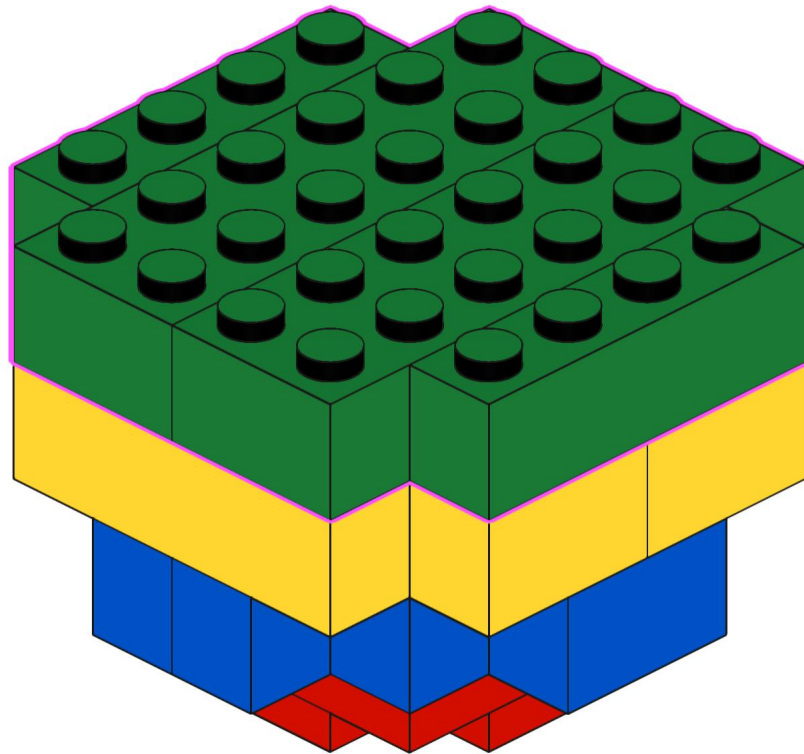
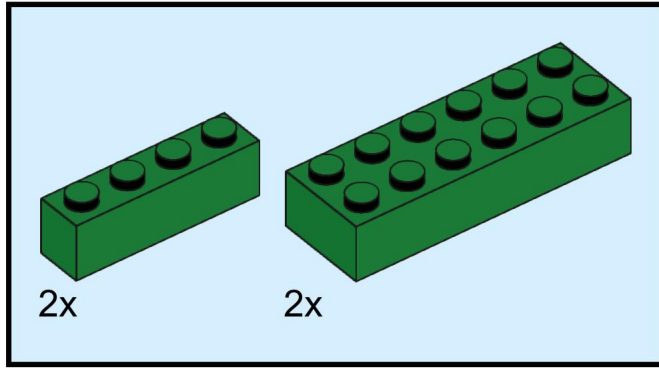
4



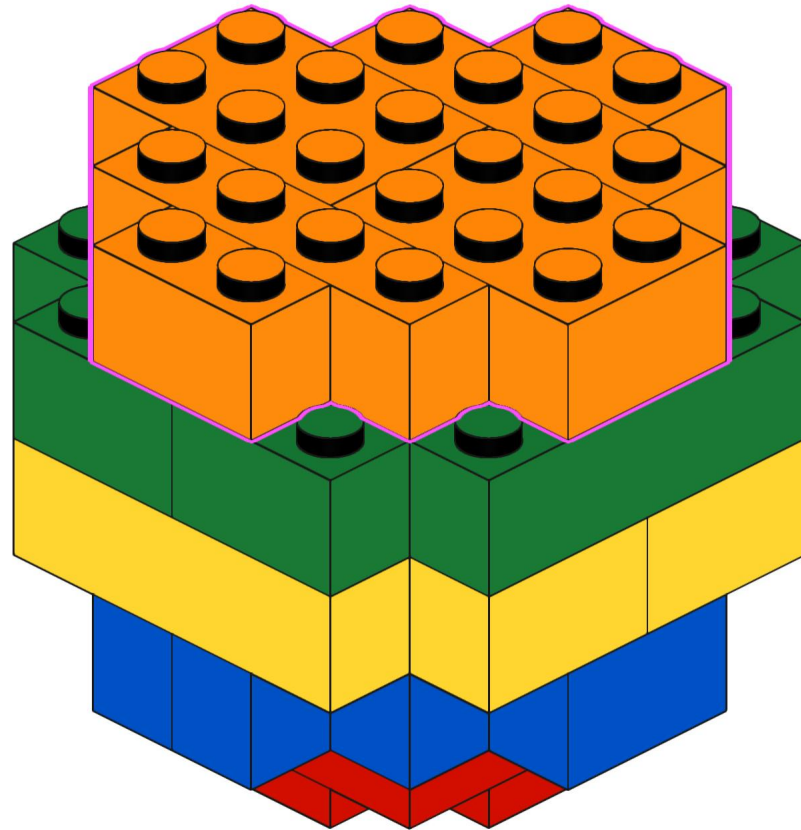
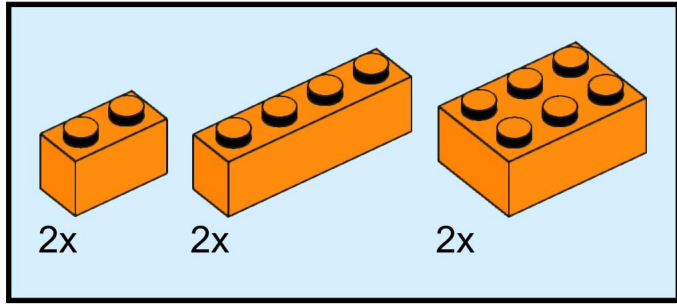
5



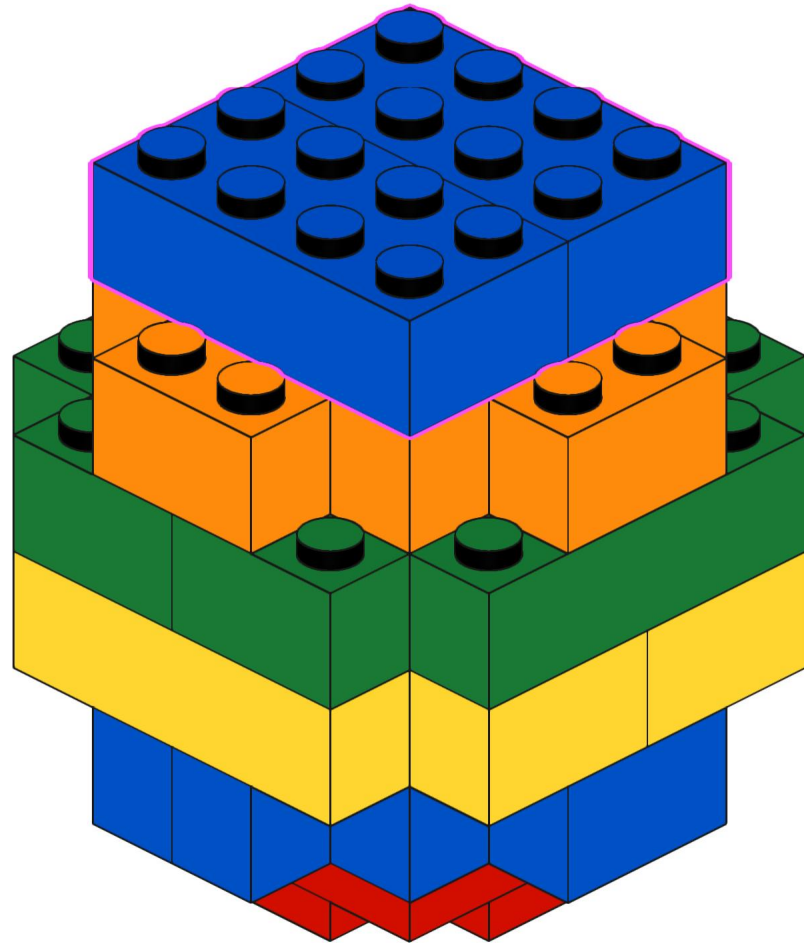
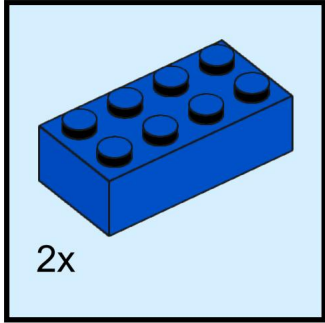
6



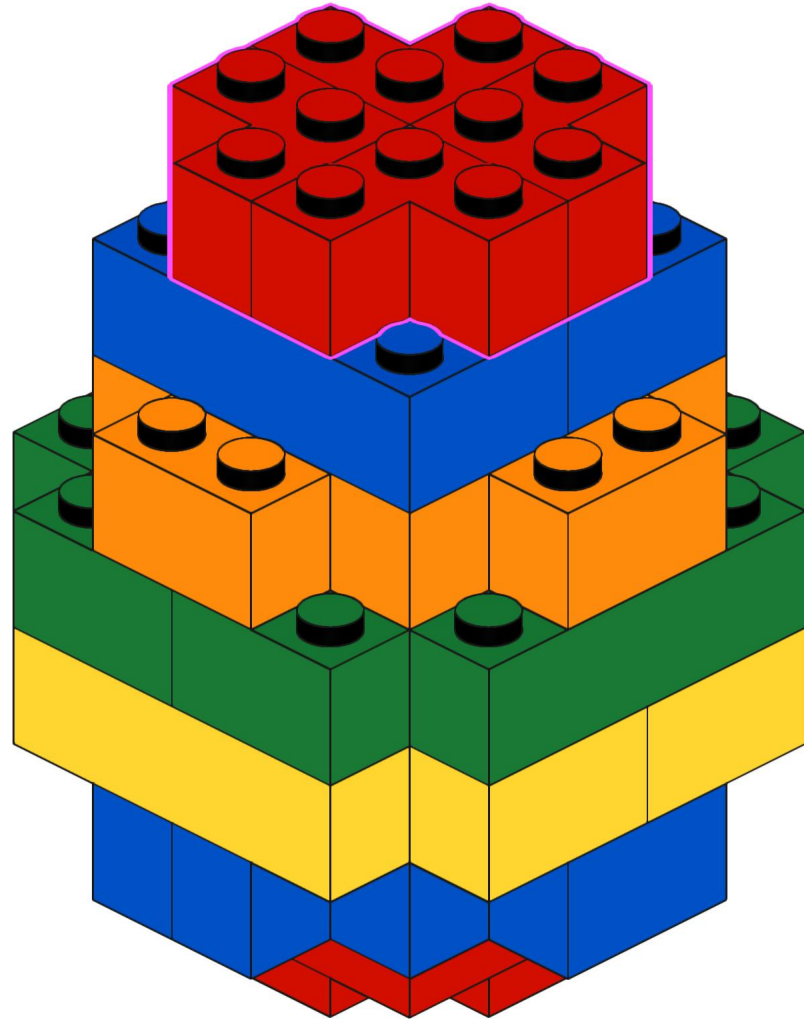
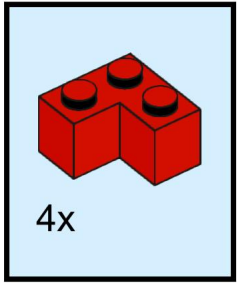
7



8



9



10

